



# Vigilant Reliance Wall Humidor Owner's Manual



Models: 350, 450, 550 and 750

# Vigilant Reliance Wall Humidor

## Owner's Manual

Congratulations on your Reliance Wall Humidor! Your Wall Humidor will not only protect your investment in cigars, it will season and maintain them in perfect condition for years to come. In fact, the quality of this handcrafted piece and its state-of-the-art electronic climate control system will be enjoyed for generations. Please read this entire manual before plugging in and operating your cigar cabinet. By following these instructions, you will not only ensure the proper operation of your Wall Humidor, you will be guaranteeing the preservation of your collection of fine cigars. If you have any questions regarding the operation, and maintenance of your cigar cabinet please contact us at 1-888-812-4427. We are committed to your complete satisfaction.

## Contents

|   |    |
|---|----|
| Parts and Tools List .....                  | 3  |
| Unpacking Your Cigar Cabinet.....           | 3  |
| Installation Instructions.....              | 4  |
| Setting-up Your Humidification System ..... | 10 |
| Operating Your Sentry System.....           | 11 |
| Operating Your Guardian System.....         | 12 |
| LED Lighting .....                          | 13 |
| Maintenance.....                            | 13 |
| Seasoning Your Wall Humidor .....           | 14 |
| Cleaning the Reservoir and Wick.....        | 14 |
| Troubleshooting.....                        | 15 |
| Guarantee .....                             | 16 |
| Warranty.....                               | 16 |



## Parts List

- Humidification Reservoir
- Humidification Wicking Filters
- Spanish Cedar shelves with clear fronts (5 shelves for the 350 and 450, 8 shelves for the 550 and 750)
- Keys (2)
- Accessories Order Form

Save all packing materials and sales receipt. Vigilant products should only be returned in their original packing materials.

### **IMPORTANT!**

**DO NOT PLUG IN YOUR VIGILANT ELECTRONIC CIGAR CABINET UNTIL ALL PACKING MATERIALS HAVE BEEN REMOVED AND YOU HAVE CAREFULLY READ THESE INSTRUCTIONS.**

## Unpacking Your Cigar Cabinet

1. When your humidor arrives, it is important to inspect the shipment for any visible damage. We take great pride when packaging our products, however, shipping damage that's out of our control can happen.

**ANY ITEMS THAT APPEAR DAMAGED SHOULD BE REPORTED TO VIGILANT WITHIN 7 DAYS OF DELIVERY OR THE DAMAGE CLAIM CANNOT BE HONORED**

To report any damage, please contact us at (888) 812-4427

2. Find a suitable location for your Wall Humidor away from temperature extremes within the room. While the cabinet will easily control the interior climate in a wide range of exterior conditions, it is recommended that the cabinet not be placed directly in front of radiators, heating elements, or air conditioner ducts. The temperature and humidity extremes surrounding these ducts can cause short cycling of the system.

3. As with any piece of fine furniture, please keep your cabinet out of direct ultra-violet light, as this may alter the finish over time. This is especially critical for this piece because of the clear varnish finish and the combination of wood species used in its construction.

4. Remove all packing material from reservoir area in the bottom, left of the cabinet interior. Also, check to see that the white mesh wicking filters are sitting upright in the water reservoir area.

5. Before you plug the cabinet into a surge protector, partially open the door, leaving the cabinet at room temperature for approximately one hour. This allows the interior of the cabinet to acclimate to your room environment prior to operation.

## Tools List

- Pencil
- Tape measure
- Level
- Drywall saw
- Drill
- Drill bits
- Screw tips
- Utility knife



# Vigilant Reliance Wall Humidor

## Installation Instructions

### Preparing the Rough Opening

1. The Wall Humidor is designed to fit between two 16" on center studs. Locate the area you would like to install the Wall Humidor and mark accordingly. The easiest installation places the wall humidor between stud locations. However, this may not be exactly where you want your humidor. In this case, more extensive framing and drywall skills are required. **Note:** The Reliance 450 and the Reliance 750 are not for external walls due to the depth of the carcass.

2. Measure out your rough opening aligning your measurements with the two 16" on center wall studs you have located.

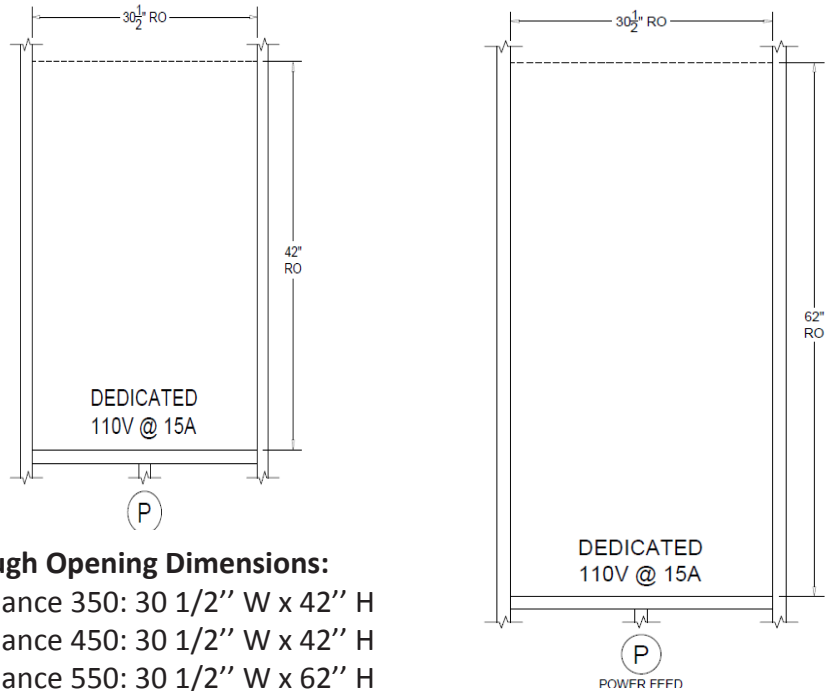
3. Before you draw your rectangular opening, drive a nail into one of the top corners to make sure your lines are just inside the stud opening. If you hit a stud, move the nail towards the center 1/4" until you miss the stud. You will index your rectangular opening off this hole.

4. Using a level, draw pencil lines to connect your measurements making sure your lines are level and plumb. [See Figure 2]



Figure 2

Figure 1



### Rough Opening Dimensions:

Reliance 350: 30 1/2" W x 42" H

Reliance 450: 30 1/2" W x 42" H

Reliance 550: 30 1/2" W x 62" H

Reliance 750: 30 1/2" W x 62" H

5. Carefully cut along the pencil lines using a Drywall or reciprocating saw. We recommend cutting each side in the following order- bottom, right, top, left. [See Figure 3 & 4] Pull out drywall and insulation to reveal your rough opening with the stud running down the center. **Note:** Have a helper hold a shop vacuum near your cutting blade as you cut the rough opening to eliminate dust.

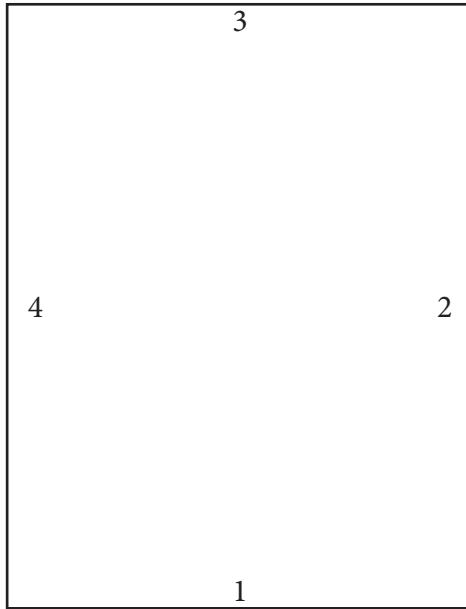


Figure 3



Figure 4

6. Take time to check for any wiring or other utilities that might be in the wall before proceeding and address accordingly.

7. Using a carpenter's square measure 1 ½" down from the drywall on the center stud and mark accordingly on the drywall and the stud. Repeat this on the top of the rough opening by measuring up 1 ½" and marking the stud and drywall. [See Figure 5]



Figure 5

8. Take your reciprocating saw and carefully cut through the center stud at your mark. Repeat at the top of the stud as well until the stud comes out from the wall. [See Figure 6]



Figure 6

### Framing the Opening

Cut two top and bottom plates out of 2 x 4s (or 2 x 6s) to 30 ½ " to use for framing the humidor on the top and bottom.

9. Lay the bottom blocking on top of the center stud and tap into place. Make sure to check that the piece is level. [See Figure 7]



Figure 7

10. Using 3" screws, attach the blocking to the center stud and then the outside studs at a 45° angle on both bottom corners. [See Figures 8 & 9]

11. Repeat steps 8 and 9 on the top of the rough opening.



Figure 8



Figure 9

### Inserting the Cabinet

12. Before inserting the humidor cabinet into the opening, remove the glass cabinet door from the hinges and set aside. [See Figure 10]

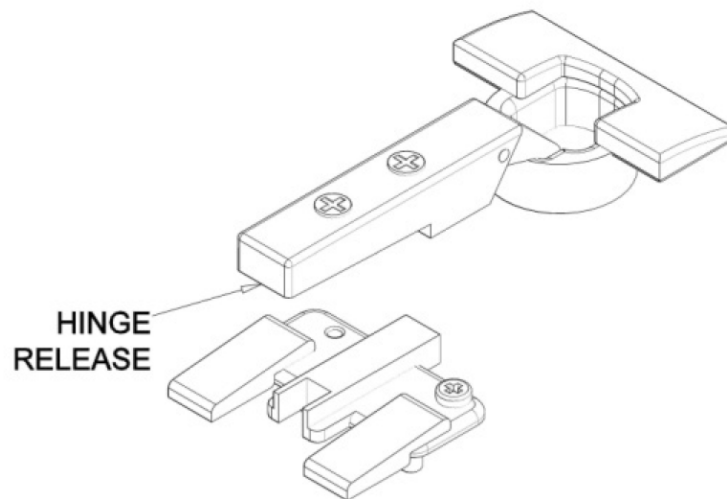


Figure 10

13. Review the location of the power cord on the cabinet and make necessary changes to accommodate your installation. If hardwiring, have your electrician remove the front access panel below the controller to run code-approved wiring into the cabinet. [See Figure 11]. **Note:** Electrical is a Universal input 88-264VAC, 47-63 Hz, .7A

## HARDWIRE TERMINAL

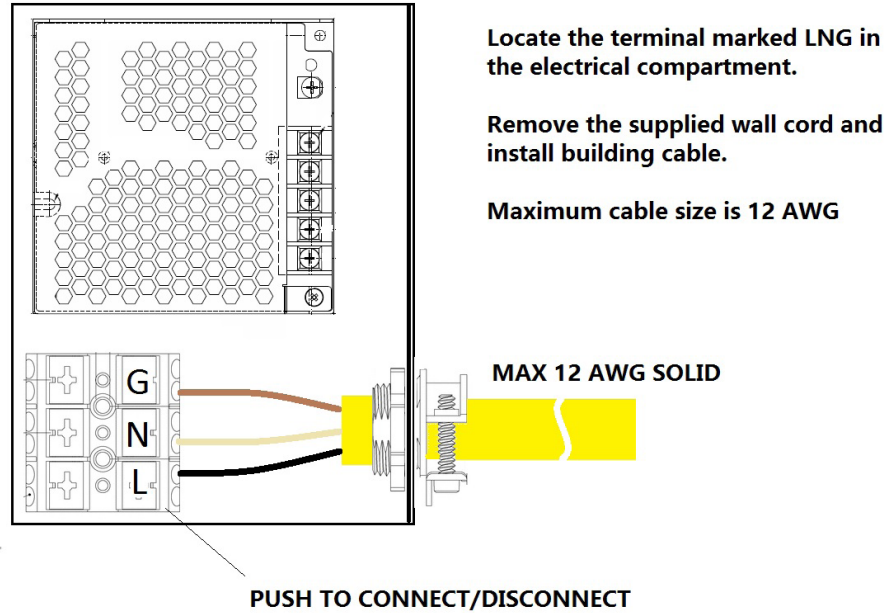


Figure 11

14. If using the power cord from the back of the unit, insert through the rough opening and plug into available outlet. [See Figure 12]



Figure 12



15. With the help of a partner carefully insert the cigar humidor into the rough opening until the trim is flush with the drywall and check for level.

16. Secure the cabinet to the wall by driving four 2" screws through the pre-drilled holes in the side of the cabinet. Place two on each side one near the top and one towards the bottom. [See Figure 13]



Figure 13

17. Insert the provided shelf pins into the pre-drilled pin holes at the locations where you would like the shelves located. If desired, shelf pins may be inserted with the front pin lower so that the shelf slants and cigars rest towards the front. [See Figure 14]

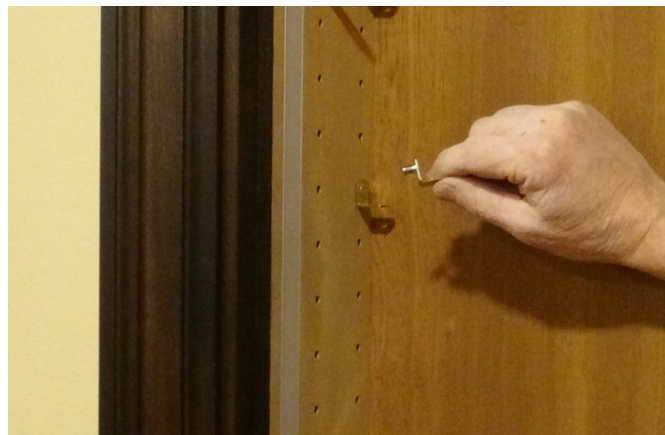


Figure 14

18. Attach the door back onto the hinges and your humidor installation is complete.

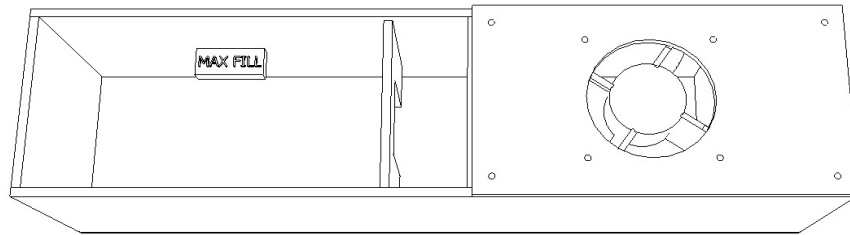
## Setting-up Your Humidification System

1. Pull open the wood panel at the bottom left of the cabinet interior. Locate the black plastic water reservoir positioned in the center of the opening. Remove all packing materials from around the reservoir.
2. Carefully fill the reservoir with 1.5 quarts of distilled water. **USE ONLY DISTILLED WATER. DO NOT FILL PAST THE MAX FILL LINE.**
3. Treat the water with Baceteriostat to keep the reservoir clear of bacteria.

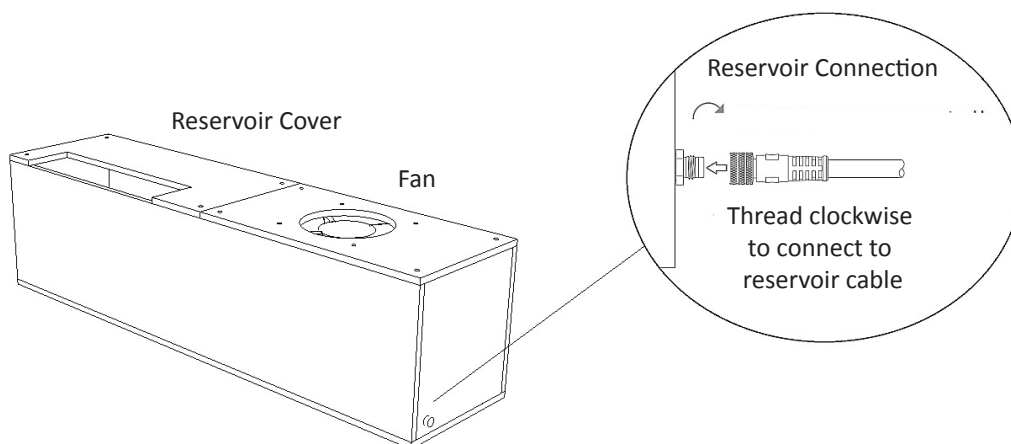


Fill the reservoir with 1.5 quarts of distilled water.  
Treat the water with Baceteriostat if desired.

Do NOT fill beyond Max FILL tab



4. Check to make sure that the white mesh wicking filters are positioned vertically in the slots in the reservoir. They should protrude about an inch above the top edge of the reservoir.



**Note: Step 5 applies to Guardian systems only.**

5. Once you plug in the humidor the control panel will run through its stabilization mode and the fans will begin to operate after 10 minutes. You will see one digital readout of the humidity. Initial readings are meaningless, since the cabinet has not been operating since it left the Vigilant, Inc. testing facility. **Note:** See installation instructions (page 8) if you're hardwiring your Wall Humidor.

## Operating Your Sentry System

The Sentry Humidification System electronically controls the humidity level of your Wall Humidor cabinet using a digital display. This system uses a manual dial to adjust the relative humidity within your cabinet and is accurate to +/-5% of your desired set point. **Note:** This is our standard system.



### Indicator key



**Low Water**



**Humidifier Active**

1. Allow the Sentry System to operate at the pre-set level for at least 24 hours before adding cigars to your cabinet. The initial digital reading will be much lower than 70%, but will rise upon starting the System.
2. The System will consume large quantities of water during the seasoning stage of 3 to 4 days. Therefore, it is important to keep the reservoir filled at all times.
3. The Sentry Humidification System requires that you adjust the humidity level in response to the independent LCD hygrometer. Close your cabinet's door and allow the system to run for several hours. When the fan stops running, the system has reached the set-point level and you should now note the humidity reading on your hygrometer.

### **Adjusting the Set Point**

4. With the knob at its lowest setting, turn it slowly clockwise to increase the set point. Stop when the green fan icon indicator turns on. The system is now set to the current Relative Humidity.
5. Turn the knob further in small increments to increase the Relative Humidity and wait. When the green fan icon indicator automatically turns off, the set point is at its current Relative Humidity on the display. If necessary, adjust further until you reach your desired Relative Humidity. **Note:** Once set the system will not need adjustment and will maintain a Relative Humidity within +/- 5% of your set point.
6. To lower your set point, slowly turn the control knob counterclockwise 1/8 turn and close the cabinet door. You may have to repeat this process every few hours until you hit your desired humidity level. **Note:** If your system has been running at a high humidity level for an extended period of time it may take up to 10 days for the humidity level in your cabinet to drop to the new set point.

# Operating Your Guardian System

The Guardian Humidification System is our state-of-the-art digitally controlled humidification system with a push button control panel. This precise system includes a time-to-fill indicator and a remote electronic sensor keeping the humidity accurate to +/- 2%. **Note:** This a system upgrade that does not come standard.



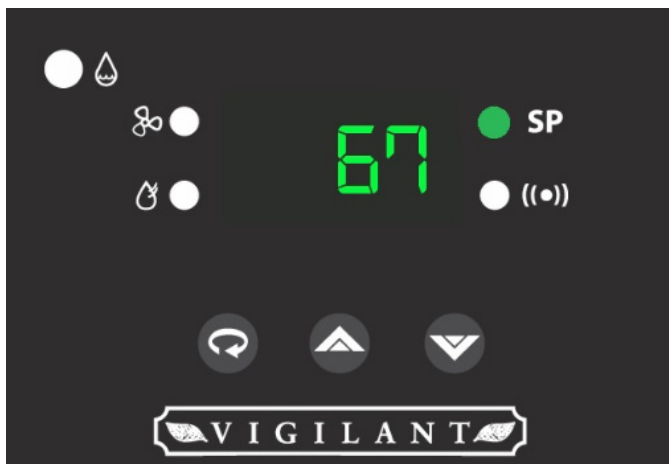
**Note:** The dehumidifier is optional equipment

## Indicator key

- Low Water
- Humidifier Active
- Dehumidifier Active
- SP** Displaying Current Set Point
- ((•))** Alarm
- Menu Access
- Raise
- Lower

## Power Up/ Stabilization Mode

2. The system sensor requires a stabilization period of up to 30 minutes after powering on and will default to stabilization mode. This mode will delay operation for 10 minutes and the fan will be off. During this time, the green display will flash STB and the current sensor reading. Initially the sensor will read close to zero but after around 15 seconds the sensor output will begin to increase. The final stabilization is required when the ambient parameter is near full scale. Typically no longer than 30 minutes.



## Adjusting the Set Point

3. To view the current set point simply press the menu access button. To adjust the set point use either the up or down arrow buttons until you hit your desired humidity level.

**Note:** The adjustability range for this cigar humidor is 60-80% RH. Our factory set point is 67% RH.

## Alarms

4. The humidification system features a visual alarm indicator. The indicator will illuminate red if the Relative Humidity is too low or too high and will clear once the unit returns to the normal operating range.

- High Alarm  $\geq 78\%$
- Low Alarm  $\leq 62\%$



## LED Lighting

The Wall Humidor has the option of coming with dimming LED display lighting. For convenience, it comes with an easy to use touch control.

**Touch once to turn on/off**



**Touch and hold to adjust brightness**



## Maintenance

Your Wall Humidor is more than just a cigar humidor; it is a fine piece of handcrafted furniture. Regularly dust the exterior of the cabinet with a soft cloth that has been lightly sprayed with a product like Endust. Please do not spray your cabinet directly with furniture polish.

When the red LED indicator light is on, the water reservoir is below one third full. Frequency of filling will vary according to climatic conditions (between 20 and 40 days).

## Seasoning Your Wall Humidor

Your Wall Humidor's interior is made of natural, untreated Spanish Cedar and Mahogany. When delivered to you, the moisture content of this wood interior is equal to the humidity in the air. To accelerate the seasoning of the interior, it may be necessary to rub the shelves and cabinet interior with distilled water prior to the start up period. Do not worry about staining the wood. Proper application will temporarily raise the grain on the Spanish Cedar. If you wish to accelerate the seasoning process follow these simple instructions.

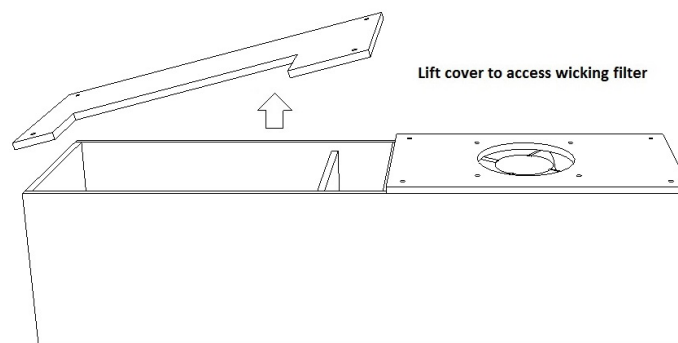
After following the operating instructions in your Owner's Manual, locate a terry cloth towel or wash cloth, preferably no larger than 8" x 8". Soak the cloth in distilled water and wring it out so that no water is dripping from it.

Start by wiping down each of the Spanish Cedar shelves with the damp cloth. Wipe each shelf so that the water visibly soaks into the wood. Then do the same on the interior of the cabinet. Do not leave droplets of water sitting on the wood. Make sure that there is no water residue on the cabinet exterior. You will immediately see the humidity level of your cabinet increase and it may temporarily surpass the factory set point of 68% Relative Humidity. This may shut down active humidification for a short period until the humidity level falls back below the set point. This is perfectly normal. Make sure that the water reservoir is filled and allow the cabinet to "rest" for 36 hours prior to filling it with cigars.

## Cleaning the Reservoir and Wick

As the reservoir and wick are constantly exposed to moisture, they must be cleaned periodically (approximately every 90 days). The wick will collect dirt from the circulating air and may have to be replaced at this time. Contact the Vigilant Parts Department at 888-812-4427 for wick re-fills.

1. Check the reservoir and wick every 90 days.
2. If the wick is brown or the sides of the reservoir have bacterial build-up on them, you will want to remove the reservoir from the cabinet for cleaning. Soiled reservoirs will impede proper evaporation and may create low humidity conditions.
3. Unplug the reservoir lead wire located on the top/right ceiling of the reservoir area and carefully slide it out into the cabinet area.
4. Rinse the reservoir and wick thoroughly with soap and hot water. **DO NOT USE BLEACH.** Wipe down the entire reservoir with a dry paper towel. If the wick does not wash clean, it should be replaced. Wicks should be replaced every 90-120 days and can be ordered directly from Vigilant.
5. Insert the wick into the reservoir and fill with distilled water up to one inch from the top edge.
6. Place the reservoir back into the reservoir area and plug the float switch lead back into the receptacle.



# Troubleshooting

## **Wall Humidor not powering on:**

1. Check the power to your power outlet. Plug a light that you know operates properly into the outlet. If the outlet works properly, move to the next step.
2. Check your fuse or breaker box for the circuit controlling the outlet. If the circuit is breached, the fuse or breaker may have to be exchanged for higher amperage. The Wall Humidor requires .6 amps at peak operating levels.

## **Trouble with humidity level:**

1. Unit is still brand new and will need to run longer to season interior cabinet.
2. Reservoir is empty. If red LED indicator lit up, remove the reservoir and check the water level in the reservoir. Fill immediately.
3. Make sure fans and airflow intakes on each side of the reservoir are clear of any obstructions that can impede air circulation.
4. Make sure humidity wicks are vertically positioned at least one inch above the reservoir opening.

**NOTE:** Replacement humidification wicks are available directly through Vigilant Inc.

## **Cigars are too moist or too dry:**

Your humidity set point is too high or too low. Remember that the Relative Humidity is +/- 2% for Guardian System and +/- 5% for the Sentry Systems from the number you set on the display for your average humidity level, adjust accordingly.

## **Cigars in bottom are too dry:**

Make sure the humidity fan is clear of any obstructions that can impede air circulation. Check your set point adjustment on the controller on the bottom of the unit.

## **Humidity fan does not work:**

Check the humidity set point. If set point is below the humidity level of cabinet interior, the fan will not run.

If the above troubleshooting recommendations do not correct the issue please call Vigilant at 1-888-812-4427 and our team of experts would be happy to assist you.

## Guarantee

### **Vigilant's 30-Day Unconditional Product Guarantee**

Vigilant's philosophy has always been to manufacture the highest quality crafted products. We believe that our products achieve a level of satisfaction for our customers that no other product can. Of course we want you, our customer, to be the final judge of this. For your protection, we have a 100% unconditional guarantee on our standard products.\*

If for any reason you are not satisfied with your Vigilant purchase within the first 30 days of receiving it, return it to Vigilant in original condition and original packaging and be issued a full refund, less inbound and outbound freight. If you prefer, you may request a replacement product instead of a refund. We don't want you to have a Vigilant product that you are not proud to own.

*\*Standard products covered under this guarantee do not include: custom designed or fabricated cabinetry or racking manufactured with custom woods and/or finishes; pre-hung entry doors; or custom-designed components or cabinets.*

## Warranty

### **Vigilant Limited Two-Year Electronics Warranty**

Upon registering your product with Vigilant, your Vigilant electronics are covered under our limited two-year warranty. All Vigilant electronic products are guaranteed to be free from defects in materials and/or workmanship for up to two years from date of purchase. Vigilant, at its sole discretion, may repair or replace defective components or products within this two-year period.

Any and all component(s) determined to be defective by Vigilant, must be returned at the owner's expense to Vigilant along with a copy of the original sales receipt.

### **Conditions to Vigilant's Limited Two-Year Electronic Warranty**

Vigilant will not be held responsible for damage incurred during a product's return as a result of improper packaging. It is strongly suggested that all original packaging material from Vigilant be retained for returns. Vigilant will not be held responsible for any damage to property that results from the failure of a Vigilant product or product component if not packaged and returned properly.

Vigilant's warranty does not pertain to any customer-applied finishes, or any damage caused by neglect, abuse, misuse, improper operation, or unforeseen circumstances.

Vigilant's warranty is considered null and void if the online warranty registration is not completed within 60 days of receipt of your product.

Vigilant's warranty is non-transferable, and is valid for the original owner only.

Vigilant is a reseller for many fine products within the industry. Products that are resold by Vigilant carry the original manufacturer's warranty.

### **Vigilant Limited Lifetime Wood Products Warranty**

Upon registering your warranty with Vigilant, your Vigilant wood products are covered under our limited lifetime warranty.



All Vigilant wood products are guaranteed to be free from defects in materials and/or workmanship under normal use for the life of the product under original ownership. Vigilant may, at its sole discretion, repair or replace a defective component or product free of charge.

Any and all component(s) determined to be defective by Vigilant, must be returned at the owner's expense to Vigilant along with a copy of the original sales receipt.

This warranty applies only to Vigilant standard wood products. Electronic components are not covered by this warranty.

#### **Conditions to Vigilant's Limited Lifetime Warranty**

Vigilant will not be held responsible for damage incurred during a product's return as a result of improper packaging. It is strongly suggested that all original packaging material from Vigilant be retained for returns. Vigilant will not be held responsible for any damage to property that results from the failure of a Vigilant product or product component if not packaged and returned properly.

Vigilant's warranty does not pertain to any customer-applied finishes, or any damage caused by neglect, abuse, misuse, improper operation, or acts of God.

Vigilant's warranty is considered null and void if submittal of your warranty registration online is not completed within 60 days from receipt of your product.

Vigilant's warranty is non-transferable, and is valid for the original owner only.

Please contact Vigilant at 888-812-4427 if you have any questions about your warranty.

Vigilant is a reseller for many fine products within the industry. Products that are resold by Vigilant carry the original manufacturer's warranty.

#### **Wood Color Disclaimer**

The photos of our wood finish options on our website and in printed catalogs are to be used for general reference of color and are not exact representations of the specific wood species and finishes used on our products. We cannot guarantee that your final product will be an exact match to the colors represented on our website or in printed materials. It is recommended that you request a sample of the finished wood from us for review and approval.

## ***Vigilant Inc.***

85 Industrial Park Drive Dover, NH 03820  
Toll Free: 888-812-4427  
Phone 603-285-0400 | Fax 603-285-0420  
Vigilantinc.com

Copyright © 2018 by Vigilant Inc. All rights reserved.