



Vigilant Sentry 10, 100, & 150 Humidification Systems

Operating Instructions





Sentry Humidification Systems Operating Instructions

Congratulations! You have purchased the finest cigar humidification system ever created for the preservation of premium cigars. The Sentry Humidification System has been designed to provide your premium cigars with the optimal storage environment. The Sentry system constantly monitors the humidity level of your cabinet interior and will maintain the relative humidity (RH) to within 5% of your desired setting.

Should you have any questions regarding the installation or operation of Vigilant's Sentry Humidification System, please call us toll-free at 888-812-4427. We will be happy to assist you.

Please read this entire manual before operating your Sentry Humidification System. By following these instructions, you will guarantee the proper conditions for your prized cigar collection.

Parts

- Humidification system – consists of water reservoir and controller
- 24-volt wall adapter
- Wicking filter (located inside system)



Sentry 10 model



Sentry 100/150 model



Installation & Start-Up Operation

IMPORTANT:

- DO NOT OVERFILL THE RESERVOIR AS OVERFILLING WILL CAUSE DAMAGE TO YOUR CABINET!
 - DO NOT POUR WATER ON THE FAN THIS CAN CAUSE DAMAGE TO THE ELECTRONICS.
 - DO NOT MOVE CABINET WITH WATER IN IT.
1. Remove all packing material from the water reservoir area and make sure the parts list is complete. Leave the white mesh wicking filter in the reservoir.
 2. Place the Sentry Humidification System in the bottom of your cabinet.
 3. Insert the small end of the power cord through a hole in your cabinet and plug it directly into the power jack on the side of the controller.
 4. Slowly fill the reservoir with distilled water to the max fill line. The reservoir is outfitted with an overflow vent that will prevent damage to your system. Make sure that the white mesh wicking filter is sitting vertically upright in your reservoir.
 5. Plug your system into a surge protector that is attached to a grounded outlet. The digital display will activate immediately.
 6. Allow the system to sit and manually “stabilize” for 60 minutes.
 7. To establish an initial relative humidity (RH) set point, SLOWLY turn dial clockwise until green fan light illuminates. Then, turn the dial counterclockwise SLOWLY until the fan light just turns off.
 8. STOP! Your controller is now set at the relative humidity (RH) as shown on display. REMEMBER, this is an analog system and adjustments to the system must be done manually as described in the next section.
 - The system will use large amounts of water during the first several days of operation. Once the humidior has been seasoned (3 – 4 days), water use will greatly diminish.
 - It is recommended that you do not set the humidity level above 70%, as cigars stored at humidity levels higher than 72% can become soft and moldy.
 - If you choose to make an adjustment to the humidity level, limit the change to no more than 2% in a 10-day period.



Adjusting the Humidity

To increase RH:

- If the humidity reading on the display is below desired level, slowly turn the dial clockwise in SMALL INCREMENTS until the fan starts running. Close the cabinet door and monitor RH level on display.
- Repeat this process every few hours until the desired RH level is reached.

To decrease RH:

- When the fan stops running and the RH display is above your desired level, slowly turn the dial counterclockwise 1/8 turn and close the cabinet door.
- Repeat this process every few hours until the desired RH level is reached.
- REMEMBER, if your system has been running at a higher RH level for an extended period of time, it can take up to **10 DAYS** for the humidity level in your cabinet to drop back to a desired level.

Maintenance of Reservoir and Wicking Filter

When the red LED low water indicator is on, it is time to fill the water reservoir. Frequency of filling will vary depending on climatic conditions and cabinet size.

As the reservoir and wicking filter are constantly exposed to moisture and dirt collected from the circulating air, they must be cleaned periodically. We recommend that you clean the reservoir and wick each time you add distilled water.

1. Unplug your system from its power outlet before you begin cleaning the reservoir and filter.
2. Remove the humidification system from your cabinet, being careful not to spill any water on your humidor. Remove the thumbscrews, lift the cover off and remove the filter.
3. Wipe the walls of the reservoir with a damp paper towel.
4. Wicks should be changed every 90-120 days and can be ordered directly from Vigilant, online at <http://shop.vigilantinc.com/>.
5. Insert a clean filter into the reservoir and return the reservoir to your cabinet.
6. To fill the reservoir, add DISTILLED water through grommet opening. Never overfill the reservoir. Watch the water level carefully while filling. Slowly fill reservoir to the max fill line.



Suggestions

The installation and maintenance of your Sentry Humidification System will directly affect its performance. Here are some factors to consider:

- Do NOT block the system fan airflow. Shelves or boxes of cigars should be at least 4" above the fan.
- Do NOT block the controller by stacking boxes or other impediments in front of it.
- Keep the water reservoir and wicking filter clean by servicing at least every 90-120 days.
- Avoid frequent opening of your cabinet door(s). If the humidor is used for commercial environments, nighttime recovery will be crucial for maintaining an optimal environment.

TROUBLESHOOTING

Cabinet appears not to maintain desired humidity level

- Check the set point adjustment. If the set point is not at your desired relative humidity level, reset by following the "Adjusting the Humidity" instructions.
- Check the seal(s) of the door(s) and drawer(s) of your cabinet. The system may not be able to maintain adequate humidity levels in a cabinet that is not airtight.
- Check the water level in the reservoir. If it is empty, the red LED should be lit. If not, carefully fill your reservoir to approximately 1" below the overflow hole.
- Be certain that fan and airflow intake are clear of any obstructions that could impede air circulation.
- Verify that the wicking filter is vertically positioned inside the reservoir.

Cigars are too moist or too dry

- Your humidity set point is too high or too low.
- Remember that the system will run up to 2% above the set point. It is recommended that the system is started at the pre-set level of 67% RH to maintain an interior humidity level between 66-68%.

Fan does not work

- Check power source and connections.
- If the set point is below the humidity level of the cabinet's interior, the fan will not run.
- To check the fan, slowly turn the dial clockwise until the fan comes on. If the fan does not turn on, contact Vigilant.

If these troubleshooting recommendations do not correct the problem, call Vigilant at 888-812-4427 and a service representative will gladly assist you.



ADDENDUM – photos & additional instructions

INDICATOR KEY



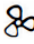
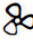
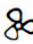
 Low Water (Auto-filling/Trouble)

 Humidifier Active

*optional equipment

ADJUSTING SET POINT

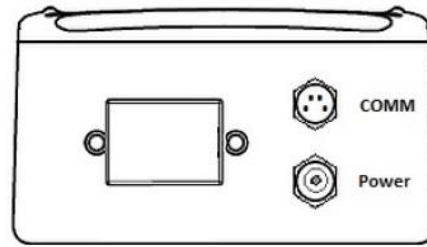
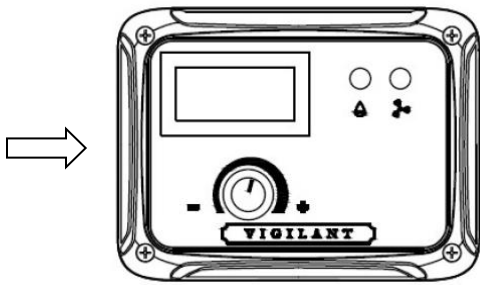


- With the dial in the lowest setting, turn it slowly clockwise.
- Stop when the green  LED light turns on.
- Next, turn the knob counterclockwise until green  LED light just turns off. The system is now set to the current RH as indicated on the display and your reference point is established.
- From this point if you want to increase the RH, turn the dial in very small increments and wait.
- When the green  LED light automatically turns off, the set point is at the current RH on the display.
- Adjust further until desired RH levels are reached.
- Once set, the system will not need adjustment and will maintain the RH to within 5% as set.

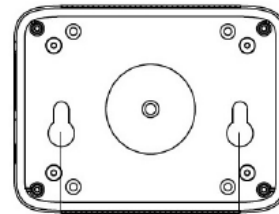


CONTROLLER INTERFACE CONNECTIONS

Power and interface connections



Side view



Rear view

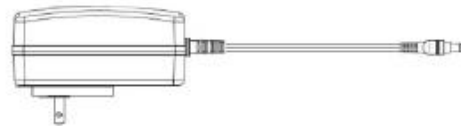
WIRES



Remote control wire (optional)

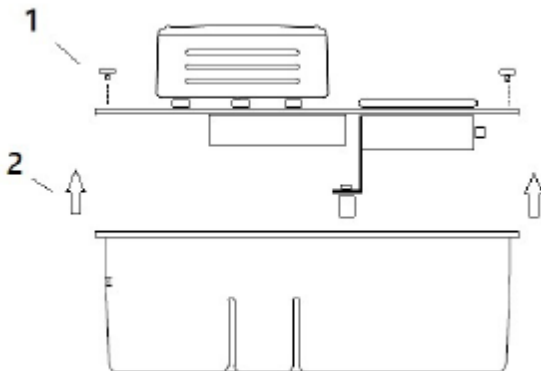


DC power extension – 36"



Power supply – 60"

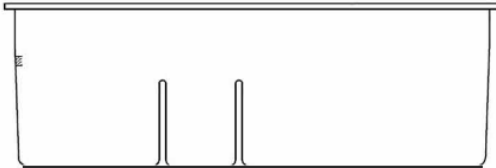
FILTER ACCESS



1. Remove thumbscrews
2. Lift cover off



ADDING WATER

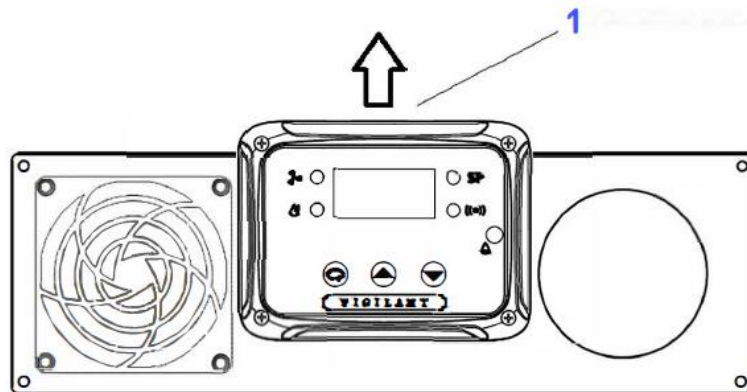


- The red LED light will indicate low water.
- Fill the reservoir with distilled water. Treat the water with Bacteriostat at this time if desired.
- DO NOT fill beyond the MAX FILL line.

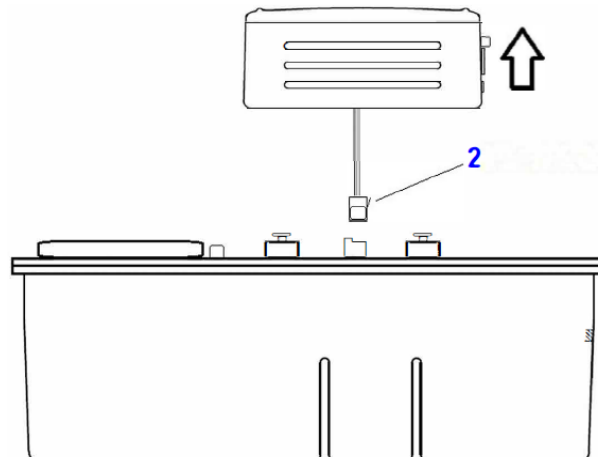
CONTROLLER REMOVAL/ATTACHMENT

Controller can be detached from reservoir and mounted remotely. Contact Vigilant for optional remote control wires.

1. Slide the controller back on the mounts

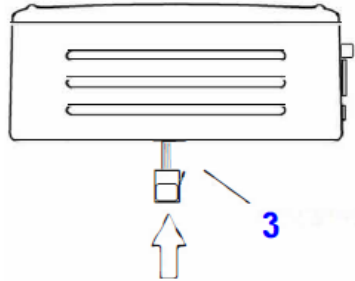


2. Lift the controller off the reservoir and press lever to disconnect the control wire

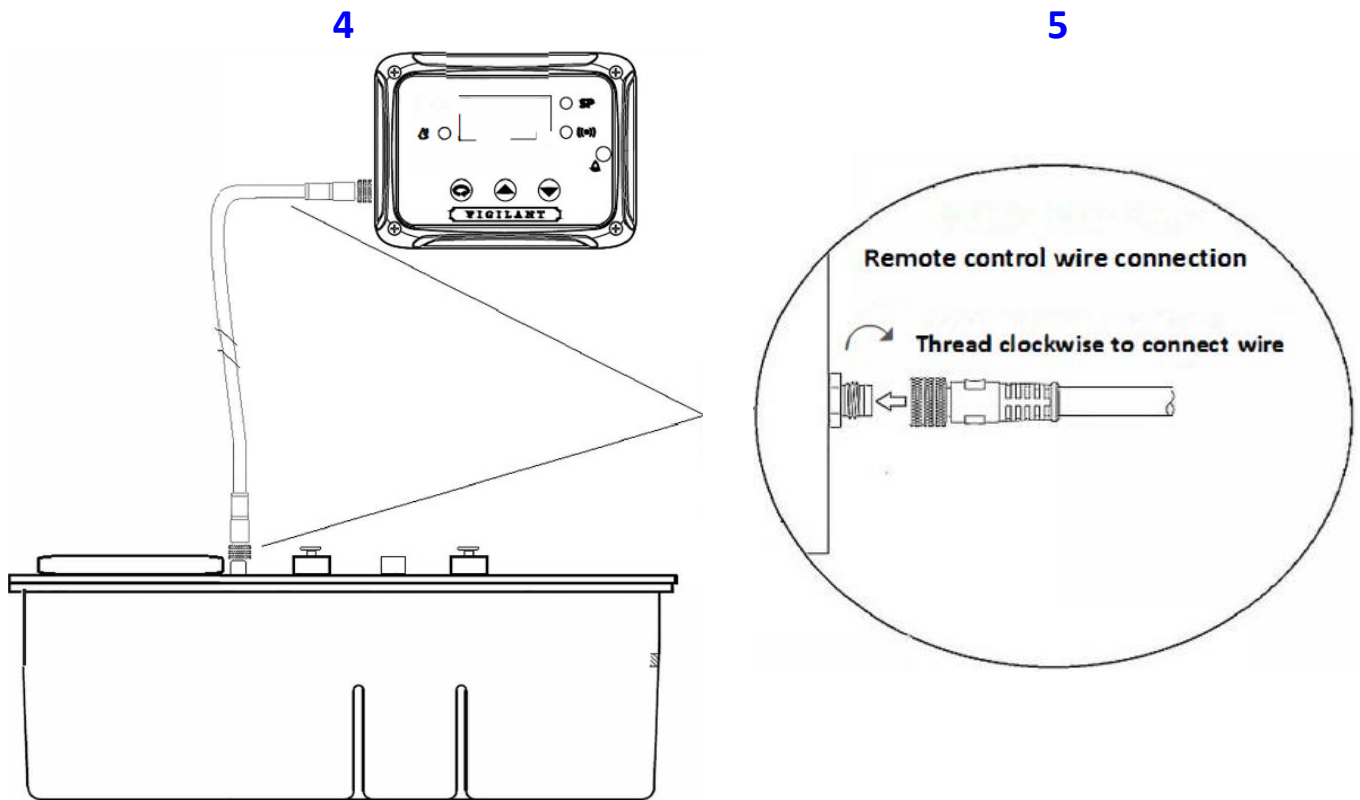




3. Tuck the control wire back into the housing



- 4. Locate the control wire inlets on both the controller and reservoir.
- 5. Push the remote control wire onto the inlet and thread clockwise to secure.



Warranty

Register your warranty online at vigilantinc.com/warranty

Vigilant Limited Two-Year Electronics Warranty

Upon registering your system with Vigilant, your Vigilant electronics are covered under our limited two-year warranty. All Vigilant electronic products are guaranteed to be free from defects in materials and/or workmanship for up to two years from date of purchase. Vigilant, at its sole discretion, may repair or replace defective components or products within this two-year period.

Any and all component(s) determined to be defective by Vigilant, must be returned at the owner's expense to Vigilant along with a copy of the original sales receipt.

Conditions to Vigilant's 2-Year Electronics Warranty

- Vigilant is not responsible for damage incurred during a product's return as a result of improper packaging. It is strongly suggested that all original packaging material from Vigilant be retained for returns.
- Vigilant is not responsible for any damage to property that results from the failure of a Vigilant product or product component.
- Vigilant warranty does not pertain to any customer-applied finishes, or any damage caused by neglect, abuse, misuse, improper operation, or unforeseen circumstances.
- Vigilant warranty is considered null and void if the online warranty registration is not completed within 60 days of receipt of your product.
- Vigilant warranty is non-transferable and valid for the original owner only.

Vigilant is a reseller for many fine products in the industry. Products resold by Vigilant carry the original manufacturer's warranty.

Please contact Vigilant at 888-812-4427 if you have any questions about your warranty. Learn more about our warranty details at vigilantinc.com/guarantee.